

TV-FM-AM antenna Mark 22CA

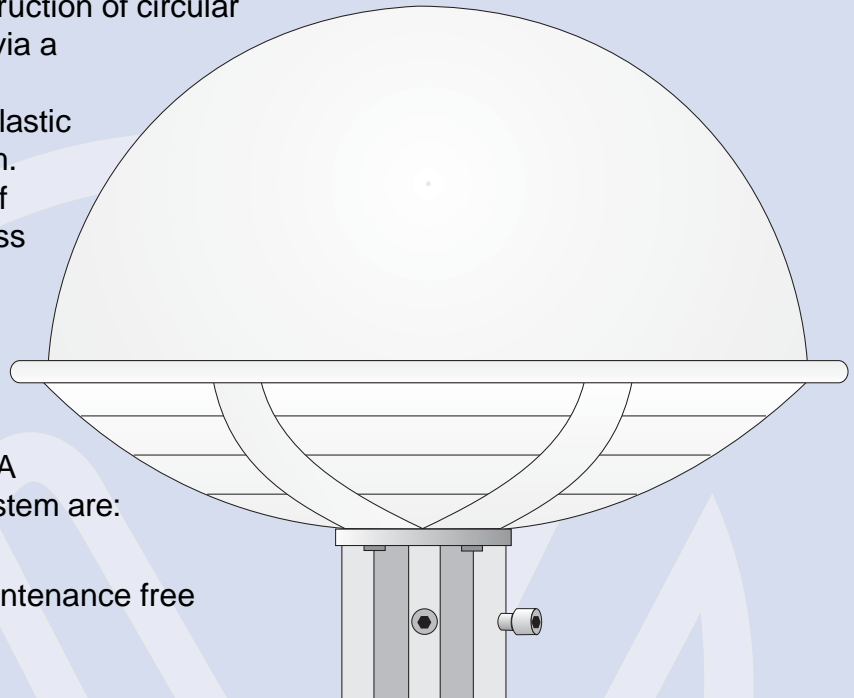
Mark 22CA is an omni-directional wide band antenna (0.1-30 and 40-860 MHz) TV-FM-AM, for maritime purposes. It is based on a construction of circular dipoles coupled to an amplifier via a broadband filter.

Mark 22CA is made of ABS plastic and filled with polyurethane foam. Mounting base in saltwater proof special alloy and bolts in stainless acid-proof steel.

Mark 22CA is tested by "Det Norske Veritas" for the same approval as for radar equipment.

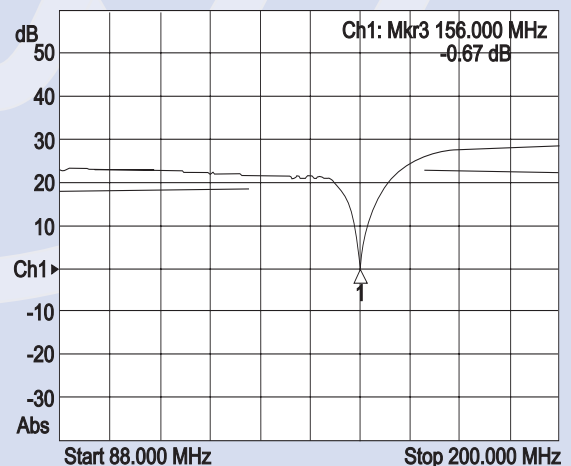
The advantages of Mark 22CA compared to an Yagi antenna system are:

- Rigid, non-corrodible, maintenance free construction
- Small dimensions and easy to mount.
- Omni-directional, no adjustments.
- Replaceable amplifier.



TECHNICAL SPECIFICATIONS

Frequency range:	0.1-30 MHz and 40-860 MHz
Gain:	14-25 dB
Noise factor:	6.0 dB
Max. output level:	111 dB μ V
(2 signals -50db IMA)	
Output impedance:	75 ohm
Connector:	BNC male
Supply voltage:	15 V DC
Current consumption:	approx. 150 mA
EMC:	EN 50082-1, 55024-2, 55024-4
Operation temp. range:	-40 - +70°C
Wavetraps:	156 MHz VHF (radiotelephone)
Weight:	3 kg
Material:	ABS plastic white (grey on special order)



0210

Since 1971, the objective of Naval Electronics has been to offer the best possible products for TV and Radio reception at sea. Naval began with omnidirectional antennas and is the world leader in this field of technology today. Now, with an expanded product range, the name Naval means much more than antennas. Naval operates in more than 40 countries and has installations on thousands of vessels all over the world.

All specifications stated are subject to change without notice.

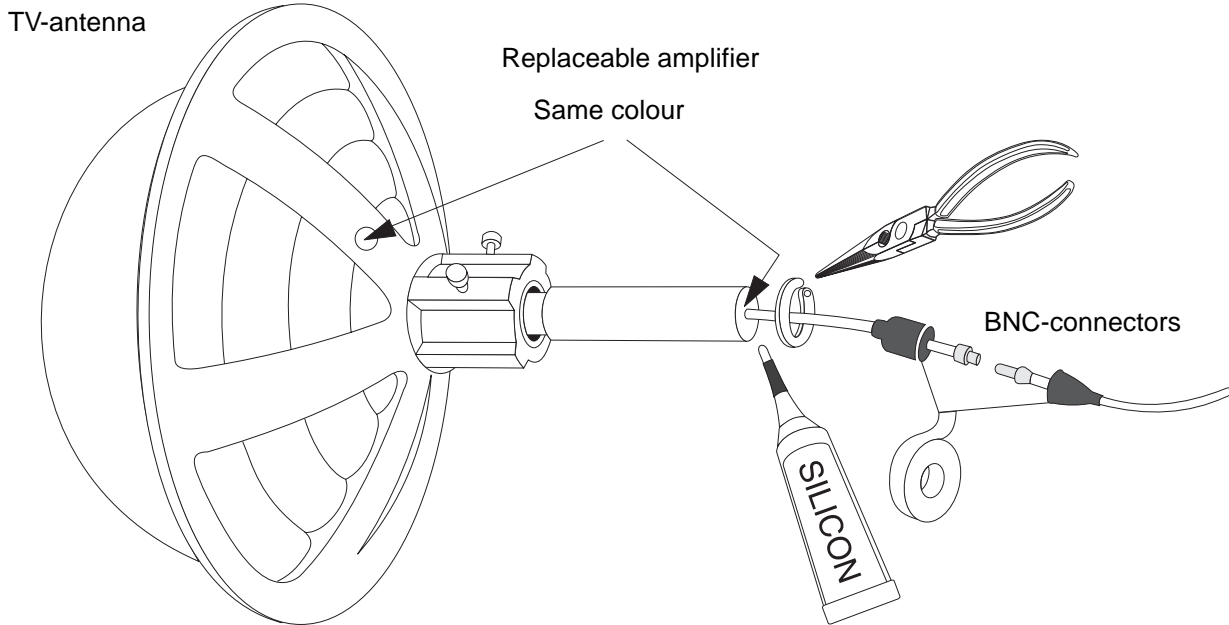


Marine Broadband Communication
Naval Electronics AB

Höjrodergatan 18, SE-212 39 Malmö, Sweden
Tel. +46(0)40-29 20 45. Fax +46(0)40-18 74 13
E-mail: sales@naval.se www.naval.se

3002

TV-FM antenna Mark 22CA



Antennas are as standard delivered with the amplifier mounted and sealed with silicon compound. The coaxial cable is supplied with a female connector which must be carefully sealed after connecting the replaceable

amplifier. Compress the rubber covers and secure with vulcanizing silicon rubber tape. The antenna should be mounted as high as possible and also as far away as possible from transmitting antennas and radars to avoid interferences.

